



RoHS
COMPLIANT



M1740009.00 DC DRIVE-1Q PWM-CHASSIS

The M1740009.00 DC motor speed drive provides high performance at a low cost. The drive takes an AC line input, rectifies it and filters the output to create a DC bus that is chopped by pulse-width-modulation (PWM) circuitry to provide nearly pure DC power to the motor. The near unity form factor results in smooth, quiet, cool and low maintenance motor operation. In addition, the low form factor allows drives to operate lower voltage motors without additional circuitry.

The drive is versatile and can accept any AC voltage between 70 and 130 VAC and contains a unipolar power supply, which enables the drive to accept DC (100-160VDC); unlike typical transformer-coupled drives. Depending on your application needs, this drive will provide speed control for motors ranging from 1/20 through 1 HP.

FEATURES

Industry Standard Footprint - Traditional mounting pattern and footprint allows for replacing competitive drives.

Accepts AC or DC Input - Can accept 100-160 VDC or 70-130 VAC input.

Stopping Modes - Inhibit (N.O.) for coasting to a stop. Can be used for frequent starting and stopping.

Quick Disconnect Terminal - Allows for quicker wiring and setup.

Line Fusing - Includes one on-board fuse.

Diagnostic LEDs - Current Limit, Power.

M1740009.00 DC DRIVE-1Q PWM-CHASSIS

SPECIFICATIONS

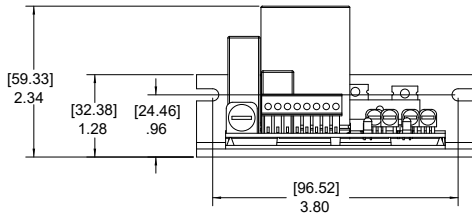
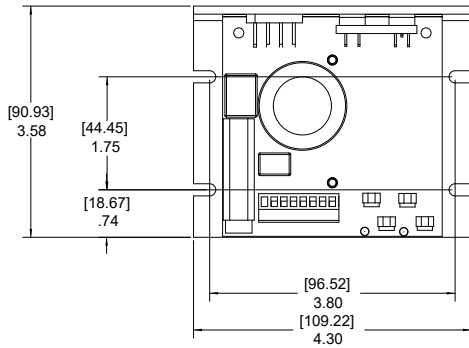
- AC Line Voltage: 115 VAC, $\pm 10\%$, 50/60 Hz, 1 \emptyset
- Acceleration Time Range: 1 second
- Deceleration Time Range: 2 seconds
- Analog Signal Range: 0 - 5 VDC
- Input Impedance (S1 to S2): $>100K \Omega$
- Form Factor 1.05
- Load Regulation: 1% of base speed or better
- Speed Range: 80:1
- Ambient Temperature Range: 10°C - 40°C

ORDERING INFO

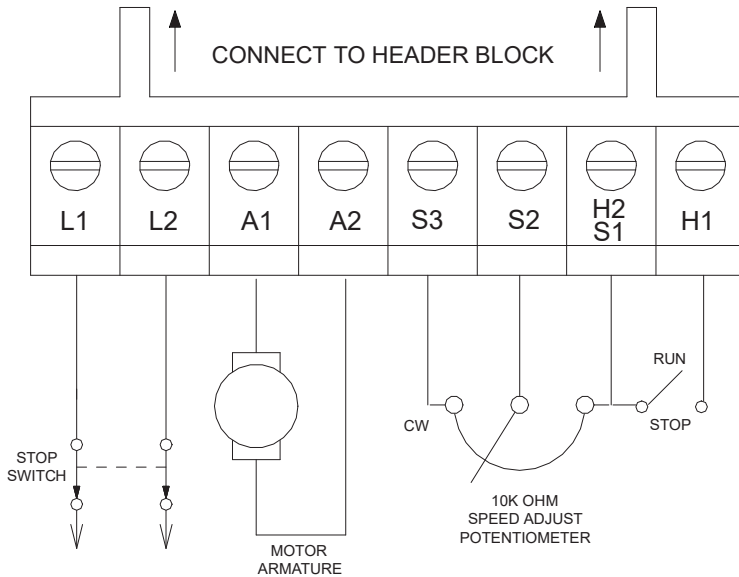
MODEL #	ENCLOSURE	MAXIMUM CURRENT (ADC)	INPUT VOLTAGE (VAC)	OUTPUT VOLTAGE (VDC)	POWER RANGE		FIELD/ SHUNT SUPPLY (VDC)	BRAKING	REVERSING	ISOLATION
					HP	KW				
M1740009.00	CHASSIS	2	115	0-130	1/20-1/4	.04-.19	NO	NO	NO	NO

M1740009.00 DC DRIVE-1Q PWM-CHASSIS

DIMENSIONAL DRAWINGS — INCHES [MILLIMETERS]



WIRING



TRIM POTS

- Current Limit
- Maximum Speed IR Compensation
- Minimum Speed

ACCESSORIES

006708.01: Potentiometer kit (included with purchase of drive)

GROWTH IS MUTUAL.

It's the result of decisions well made, and commitments perfectly executed. When we do things right, your growth is impacted as well. From solutions that save energy and money, to robust systems that keep you up and running, we'll anticipate your needs and deliver beyond your expectations. See what deep roots, a strong core product line, talented teams and a commitment to excellence can do for you. We invite you to grow with Regal.



Regal Beloit America, Inc.

1051 Cheyenne Avenue

Grafton, WI 53024

Customer Service: 262-377-8810

Fax: 262-3779025

www.regalbeloit.com

APPLICATION CONSIDERATIONS

The proper selection and application of power transmission products and components, including the related area of product safety, is the responsibility of the customer. Operating and performance requirements and potential associated issues will vary appreciably depending upon the use and application of such products and components. The scope of the technical and application information included in this publication is necessarily limited. Unusual operating environments and conditions, lubrication requirements, loading supports, and other factors can materially affect the application and operating results of the products and components and the customer should carefully review its requirements. Any technical advice or review furnished by Regal Beloit America, Inc. and/or its affiliates ("Regal") with respect to the use of products and components is given in good faith and without charge, and Regal assumes no obligation or liability for the advice given, or results obtained, all such advice and review being given and accepted at customer's risk.

For a copy of our Standard Terms and Conditions of Sale, please visit <http://www.regalbeloit.com> (please see link at bottom of page to "Standard Terms and Conditions of Sale"). These terms and conditions of sale, disclaimers and limitations of liability apply to any person who may buy, acquire or use a Regal product referred to herein, including any person who buys from a licensed distributor of these branded products.

Regal and Leeson are trademarks of Regal Beloit Corporation or one of its affiliated companies.

©2018 Regal Beloit Corporation, All Rights Reserved. MCSSP18032E • Form# L0033E

