



**KRYO™ FORTRESS
Commercial Refrigeration Motor
Installation Guide**

Regal Beloit America, Inc.
1325 Heil Quaker Blvd.
LaVergne, TN 37086
Customer Service: 800-672-6495
thedealertools.com

**FORM
G0059E
Revised
May 2018**

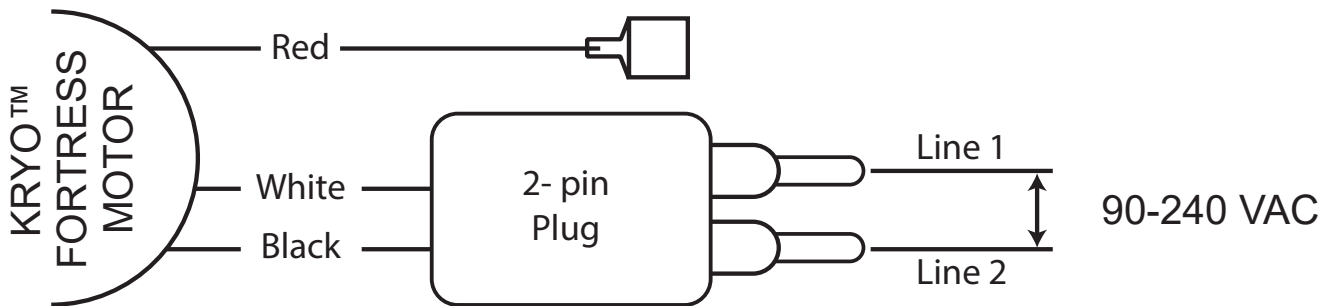
⚠ WARNING

- Read and follow all instructions carefully.
- Disconnect and lock out the main power from the unit being serviced before making any wiring connections to the KRYO™ FORTRESS motor. It is also a good practice to confirm that the power is disconnected with a voltmeter. Working on or near energized equipment can result in severe injury or death.
- Do not operate equipment without guards in place. Exposed equipment can result in severe injury or death.
- Improper installation, adjustment, alteration, service, maintenance, or use can cause explosion, fire, electrical shock, or other conditions which may cause personal injury, death, or property damage. Consult a qualified installer, service agency, or your distributor or branch for information or assistance. The qualified installer or agency must use the supplied or recommended parts when installing or servicing this product.

⚠ CAUTION

- Periodic inspections should be performed. Failure to perform proper maintenance can result in premature product failure and personal injury.
- Installation and service of this motor should be performed only by trained service technicians familiar with the KRYO™ FORTRESS motor.
- This motor should be installed in accordance with accepted practices and installation instructions, and in compliance with all national and local codes.

Electrical Connections (Stock # MD5411S)



CW Rotation - Connect 2-pin (White and Black wires) plug only

CCW Rotation - Add Red wire to L1 or L2

Notes

1. The 2-pin plug is not polarity sensitive
2. The motor will automatically operate from an input voltage from 90-240 VAC
3. Rotation is listed as viewed from lead end



Specifications

Stock # MD5411S

Voltage:	115-230 VAC (Automatic) Allowable voltage range 90-240 VAC
Watt:	Automatic (4-20 WATTS)
Amperage:	.20 - .55
RPM:	1550
Rotation:	Dual
Bearing:	Ball
Operating Rating:	-40°C to 55°C (-40°F to 131°F)
Storage Rating:	-40°C to 85°C (-40°F to 185°F)
Enclosure:	TEAO
Shaft:	Standard 1/4-20 thread
Mounting:	Rear or side 3 and 4 hole rear mounting (5 hole pattern)
Orientation:	All (VSU-VSD-Horizontal)
Leads:	2-pin, flying lead with 1/4" insulated female quick connect
IP Rating:	66 and 67
UL and CSA recognized component	

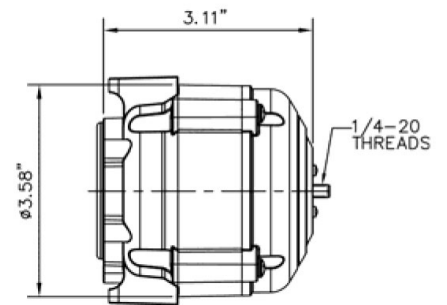
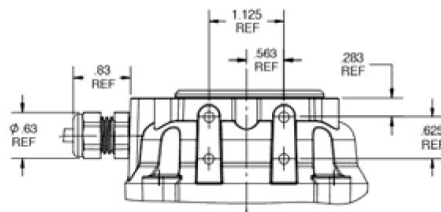
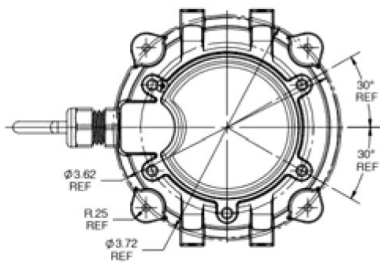
Application Note

Can be used to replace evaporator or condensing fan motors rated 4-20 W, 115 & 208-230 VAC

Operation Note

The motor will automatically operate at the watt output required based on the load (size of the fan blade)

The motor will automatically operate from a line voltage power supply of either 115 or 208-230 VAC



Terms & Conditions of Sale & Limited Warranty

Sales of the products described in this Installation Manual are subject to the "Regal Beloit Terms and Conditions of Sale" current at the time of sale. They are accessible on RegalBeloit.com – <http://www.regalbeloit.com> (click "Terms and Conditions of Sale" at bottom of page).

The limited warranty applicable to this product is set forth in Section 10, "Limited Warranty," of the Regal Terms and Conditions of Sale.