



FISH PROCESSING EQUIPMENT

INDUSTRY

Food and beverage processing

SOLUTION TYPE

Maintenance cost savings and improved corrosion resistance

DESCRIPTION OF PROBLEM

A fish processing plant uses equipment specifically designed to remove viscera and roe. The standard cam followers installed within the machines are exposed to highly corrosive conditions. Consequently, standard cam followers corrode and seize, resulting in damage to the cam in which they ride. The cost incurred to replace the entire cam is prohibitively more expensive than simply replacing the cam follower, and machine downtime creates significant production inefficiencies for the plant.

McGILL® CAM ROLLER SOLUTION

To help reduce these significant replacement costs, Regal recommended the dimensionally interchangeable McGill CRES™ CAMROL® line, which is designed with 440C stainless steel to help resist corrosive environments. The Lubri-Disc®+ seal also provides significant protection against wash downs, more than 5 times

compared to our standard Lubri-Disc seal. To further improve bearing life, Regal recommended a crowned outer diameter, which allows for greater misalignment while maintaining even load distribution.

PRODUCT/PART DESCRIPTION

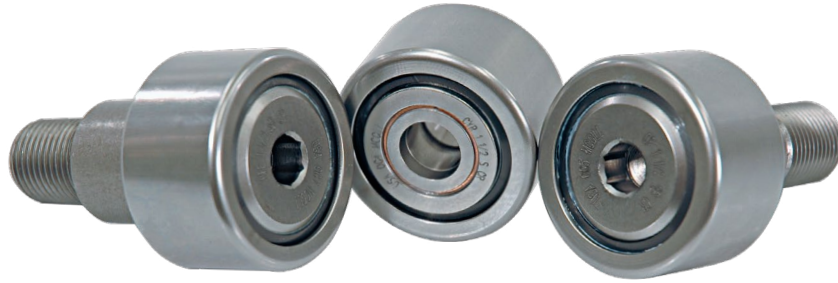
CCF 1 1/4 SB CR

KEY CUSTOMER NEED(S) AND BENEFITS FROM MCGILL PRODUCTS

The customer was incurring sizable costs to maintain and repair its machines with standard cam followers that seized due to the corrosive environment. Regal's stainless steel CRES CAMROL product has been designed to operate in these taxing conditions, improving machine reliability and extending operating life compared to standard cam followers.



FISH PROCESSING EQUIPMENT



CRESTM CAMROL® STAINLESS STEEL CAM FOLLOWERS

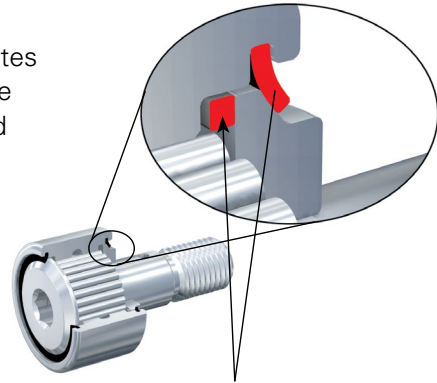
In addition to the standard McGill® CAMROL cam follower bearing features, CRES CAMROL cam followers utilize stainless steel materials, H1 food grade grease, and LUBRI-DISC®+ seals. This special seal design incorporates a lip-wiping seal feature to help prolong bearing life in a variety of corrosive environments. The Lubri-Disc + seal is used on bearings with a 1" OD and larger. Smaller sizes use Regal's standard Lubri-Disc seal.

COMPONENTS MATERIAL

- Bearing Races - 440C Stainless Steel
- Needles - 440C Stainless Steel
- Seal - LUBRI-DISC + Seal

FEATURES AND BENEFITS

- 440C Stainless Steel - More corrosion resistant than common bearing steel.
- Zone Hardened Raceway - Provides a hardened raceway for load capacity and stem ductility for absorbing shock loads.
- LUBRI-DISC + Seal - Improved contamination resistance and lubrication retention.
- H1 Food Grade Grease - Provides corrosion resistance and highly resistant to water wash out.



LUBRI-DISC® + Seal

Provides up to five times better protection against washdown than standard seals. Regal's seal design helps promote bearing life in a variety of corrosive environments.



Regal Beloit America, Inc.

7120 New Buffington Road

Florence, KY 41042

Customer Service: 800-626-2120

Fax: 800-262-3292

Technical Service: 800-626-2093

www.regalbeloit.com

APPLICATION CONSIDERATIONS

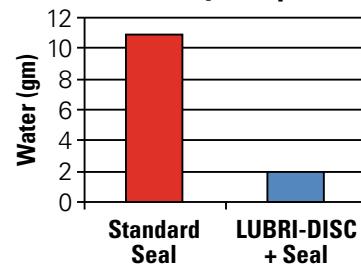
The proper selection and application of products and components, including the related area of product safety, is the responsibility of the customer. Operating and performance requirements and potential associated issues will vary appreciably depending upon the use and application of such products and components. The scope of the technical and application information included in this publication is necessarily limited. Unusual operating environments and conditions, lubrication requirements, loading supports, and other factors can materially affect the application and operating results of the products and components and the customer should carefully review its requirements. Any technical advice or review furnished by Regal Beloit America, Inc. and/or its affiliates ("Regal") with respect to the use of products and components is given in good faith and without charge, and Regal assumes no obligation or liability for the advice given, or results obtained, all such advice and review being given and accepted at customer's risk.

For a copy of our Standard Terms and Conditions of Sale, please visit <https://www.regalbeloit.com/Terms-and-Conditions-of-Sale>. These terms and conditions of sale, disclaimers and limitations of liability apply to any person who may buy, acquire or use a Regal product referred to herein, including any person who buys from a licensed distributor of these branded products.

Regal, CAMROL, CRES, LUBRI-DISC and McGill are trademarks of Regal Beloit Corporation or one of its affiliated companies.

©2016, 2019 Regal Beloit Corporation, All Rights Reserved. MCSSI16004E • Form# 9925E

Water Entry Comparison



1500 PSI water at 2.25 GMP
sprayed at bearing face.

REGAL®