



MCGILL[®] CRES[™] CAMROL[®] BEARINGS

CF 7/8 SB CR

APPLICATION

Food and beverage processing

SOLUTION TYPE

Maintenance cost savings and improved corrosion resistance

DESCRIPTION OF PROBLEM

A beverage bottling plant was experiencing failures on the standard cam followers used on their case packer. Due to the environment, excessive corrosion was resulting in reduced bearing life, which required the cam followers be replaced every three months.

MCGILL[®] SOLUTION

The standard cam followers were replaced with McGill[®] CRES[™] CAMROL[®] stainless steel cam followers, which were dimensionally interchangeable with standard cam followers.

PRODUCT/PART DESCRIPTION

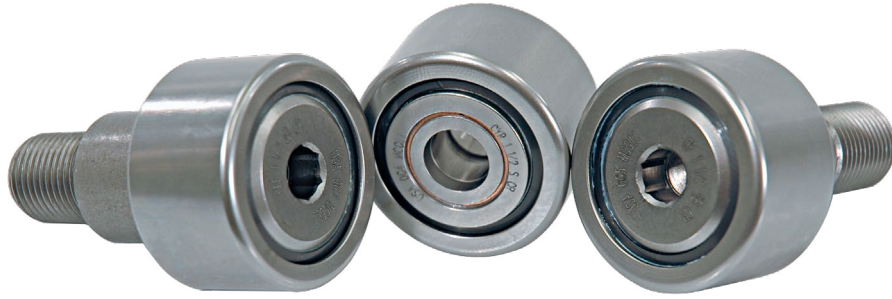
CF 7/8 SB CR



KEY CUSTOMER NEED(S) AND BENEFITS FROM MCGILL PRODUCTS

The bottling plant needed to increase cam follower life and extend the uptime for their case packer. The 400C series stainless steel components and LUBRI-DISC[®]+ seal incorporated into the McGill CRES CAMROL cam follower helped provide increased corrosion resistance and the plant was able to meet its goals.





CRES™ CAMROL® STAINLESS STEEL CAM FOLLOWER

In addition to the standard McGill® CAMROL cam follower bearing features, CRES CAMROL cam followers utilize stainless steel materials, LUBRI-DISC® + seals and H1 food grade grease. Our seal design incorporates aerospace technology to help prolong bearing life in a variety of corrosive environments.

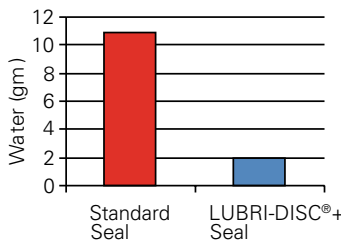
Components Material

Bearing Races	440C Stainless Steel
Needles	440C Stainless Steel
Seal	LUBRI-DISC® + Seal

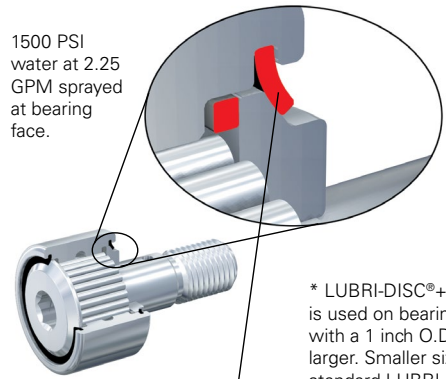
Features and Benefits

440C Stainless Steel	More corrosion resistant than common bearing steel.
Zone Hardened Raceway	Provides a hardened raceway for load capacity and stem ductility for absorbing shock loads.
LUBRI-DISC® + Seal	Improved contamination resistance and lubrication retention.
H1 Food Grade Grease	Non-toxic grease with good corrosion resistance and wash out properties.

Water Entry Comparison



1500 PSI water at 2.25 GPM sprayed at bearing face.



* LUBRI-DISC®+ Seal is used on bearings with a 1 inch O.D. and larger. Smaller sizes use standard LUBRI-DISC seals.

LUBRI-DISC® + Seal*

Provides up to five times better protection against washdown than standard seals. Regal originally developed this seal to meet the tough demands of aerospace applications.

McGILL®

Regal Beloit America, Inc.

7120 New Buffington Road

Florence, KY 41042

Customer Service: 800-626-2120

Fax: 800-262-3292

Technical Service: 800-626-2093

www.regalbeloit.com

APPLICATION CONSIDERATIONS

The proper selection and application of products and components, including the related area of product safety, is the responsibility of the customer. Operating and performance requirements and potential associated issues will vary appreciably depending upon the use and application of such products and components. The scope of the technical and application information included in this publication is necessarily limited. Unusual operating environments and conditions, lubrication requirements, loading supports, and other factors can materially affect the application and operating results of the products and components and the customer should carefully review its requirements. Any technical advice or review furnished by Regal Beloit America, Inc. and/or its affiliates ("Regal") with respect to the use of products and components is given in good faith and without charge, and Regal assumes no obligation or liability for the advice given, or results obtained, all such advice and review being given and accepted at customer's risk.

For a copy of our Standard Terms and Conditions of Sale, please visit <https://www.regalbeloit.com/Terms-and-Conditions-of-Sale>.

These terms and conditions of sale, disclaimers and limitations of liability apply to any person who may buy, acquire or use a Regal product referred to herein, including any person who buys from a licensed distributor of these branded products.

Regal, CAMROL, Cres, LUBRI-DISC and McGill are trademarks of Regal Beloit Corporation or one of its affiliated companies.

©2015, 2018 Regal Beloit Corporation, All Rights Reserved. MCSSI18010E • Form# 9217E

REGAL®