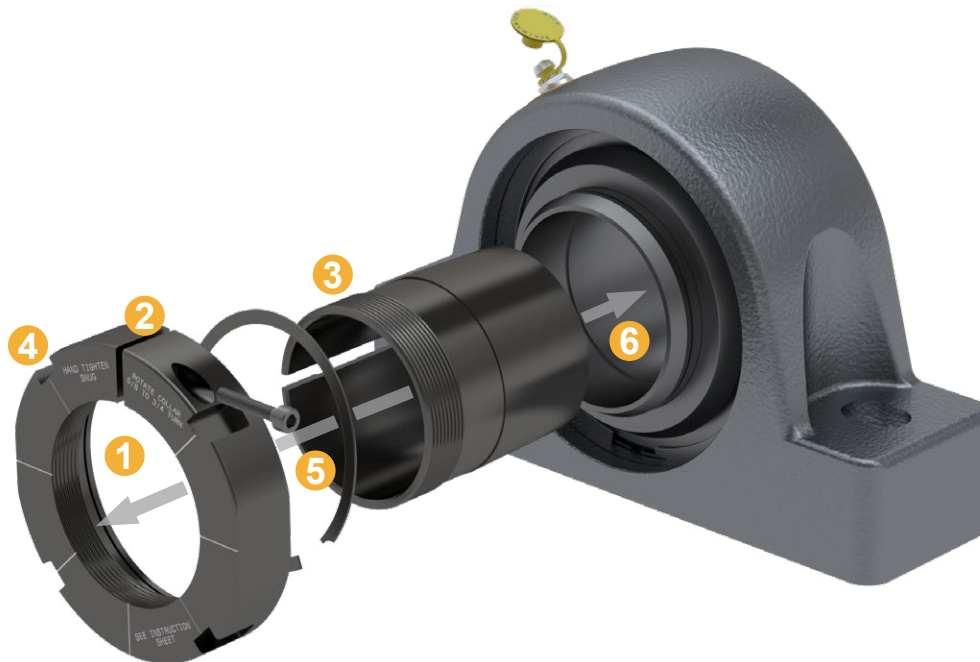


SEALMASTER[®] USRB[™] KLAMPLOC[™] ADAPTER LOCK BEARING

The Sealmaster unitized spherical roller bearing is now available with the patented¹ Klamploc tapered adapter lock. The Klamploc tapered adapter lock design reduces installation complexities versus standard designs and improves clamping force.



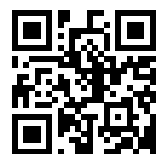
- 1 Basic installation steps clearly marked on the collar².
- 2 Split collar provides additional clamp to the shaft.
- 3 Uses common sleeve-locknut installation process for roller bearings.
- 4 Tighten with common tools such as a hammer & drift, spanner or pipe wrench.
- 5 No parts to remove or bend – simply tighten cap screw to recommended torque for final lock down after tightening locknut to proper position.
- 6 Reduced length-through-bore – now similar to setscrew collar mount version.

¹ Patent #10,422,386

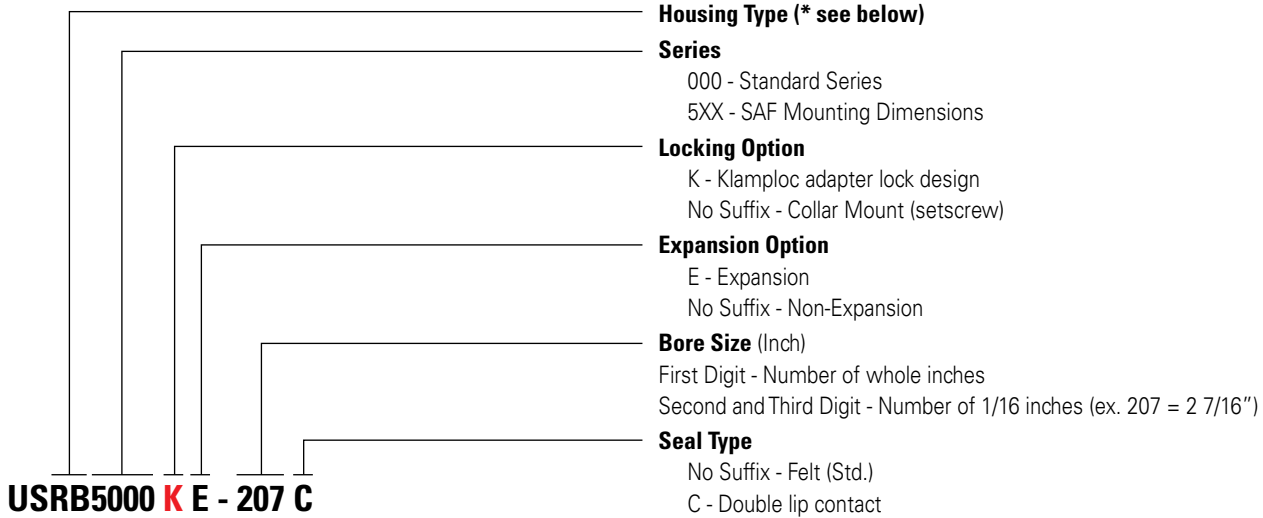
² Complete instructions can be found in the box or on our website at regalbeloit.com

What **if...**

you could
increase uptime
with Klamploc
adapter lock
simplified
installation?



SEALMASTER® USRB™ KLAMPLOC™ ADAPTER LOCK BEARING NOMENCLATURE



* Housing type

RB - Pillow Block (2-Bolt)	RBF - Pillow Block (4-Bolt)
RBE - Pillow Block (Type E)	FB - Flange Block
FC - Flange Cartridge	FBE - Flange Block (Type E)
FCE - Flange Cartridge (Type E)	BF - 3-bolt Flange Bracket
TU - Wide Slot Take-Up	BFF - 4-bolt Flange Bracket

SHAFT

SHAFT SIZE (INCHES)	SHAFT TOLERANCE (INCHES)
Up to 2"	-.003
2 3/16 to 4"	-.004
4-7/16 to 5 15/16"	-.004

COMPETITIVE INTERCHANGE

HOUSING STYLE	SEALMASTER® USRB™ KLAMPLOC™ ADAPTER	DODGE® IMPERIAL™ ADAPTER	LINK-BELT® MAX MOUNT™ ADAPTER	TIMKEN® QM BLUE BRUTE® V-LOCK®
Pillow Block (2-Bolt)	USRB5000K	P2B-IP-R	PB22600H	QVPL00V
Pillow Block (4-Bolt)	USRBF5000K	P4B-IP-R	PB22600FH	QVPF00V
4-Bolt Flange	USFB5000K	F4S-IP-R	FB22600H	QVFL00V
Flange Bracket	USBF5000K	FB-IP-R	FBB22600H	N/A
Piloted Flange	USFC5000K	FC-IP-R	FB22600H	QVFC00V
Pillow Block-SAF (2)	USRB5500K	P2B500-ISAF-R	N/A	QVPA00V
Pillow Block-SAF (2)	USRBF5500K	P4B500-ISAF-R	N/A	QVPH00V
Take-Up	USTU5000K	WSTU-IP-R	TB22600H	QVTU00V



Regal Beloit America, Inc.
 7120 New Buffington Road
 Florence, KY 41042
 Customer Service: 800-626-2120
 Fax: 800-262-3292
 Technical Service: 800-626-2093

regalbeloit.com/USRB-Klamploc

COLLAR ROTATION & TORQUE

SHAFT SIZE (INCHES)	LOCKNUT ROTATION (TURNS)	CAP SCREW TORQUE (FT-LBS)	HEX SIZE (INCHES)
1 1/8 - 2 1/2"	1/2 to 3/4 Turn	7	5/32
2 11/16 to 3"	1/2 to 3/4 Turn	15	3/16
3 3/16 to 4 1/2"	5/8 to 7/8 Turn	25	1/4
4 15/16 - 5 7/16"	5/8 to 7/8 Turn	40	5/16

APPLICATION CONSIDERATIONS

The proper selection and application of products and components, including the related area of product safety, is the responsibility of the customer. Operating and performance requirements and potential associated issues will vary appreciably depending upon the use and application of such products and components. The scope of the technical and application information included in this publication is necessarily limited. Unusual operating environments and conditions, lubrication requirements, loading supports, and other factors can materially affect the application and operating results of the products and components and the customer should carefully review its requirements. Any technical advice or review furnished by Regal Beloit America, Inc. and/or its affiliates ("Regal") with respect to the use of products and components is given in good faith and without charge, and Regal assumes no obligation or liability for the advice given, or results obtained, all such advice and review being given and accepted at customer's risk.

For a copy of our Standard Terms and Conditions of Sale, please visit <https://www.regalbeloit.com/Terms-and-Conditions-of-Sale>. These terms and conditions of sale, disclaimers and limitations of liability apply to any person who may buy, acquire or use a Regal product referred to herein, including any person who buys from a licensed distributor of these branded products.

The following are believed to be the trademarks and/or trade names of their respective owners and are not owned or controlled by Regal Beloit Corporation. Dodge and Imperial: ABB Asea Brown Boveri, Ltd.; Link-Belt and Max Mount: Link-Belt Cranes, L.P., LLLP; Blue Brute, Timken and V-Lock: The Timken Company

Regal, Klamploc, Sealmaster and USRB are trademarks of Regal Beloit Corporation or one of its affiliated companies.

©2019 Regal Beloit Corporation, All Rights Reserved. MCSSP19025E • Form# 10286E

