

*Browning*<sup>®</sup>

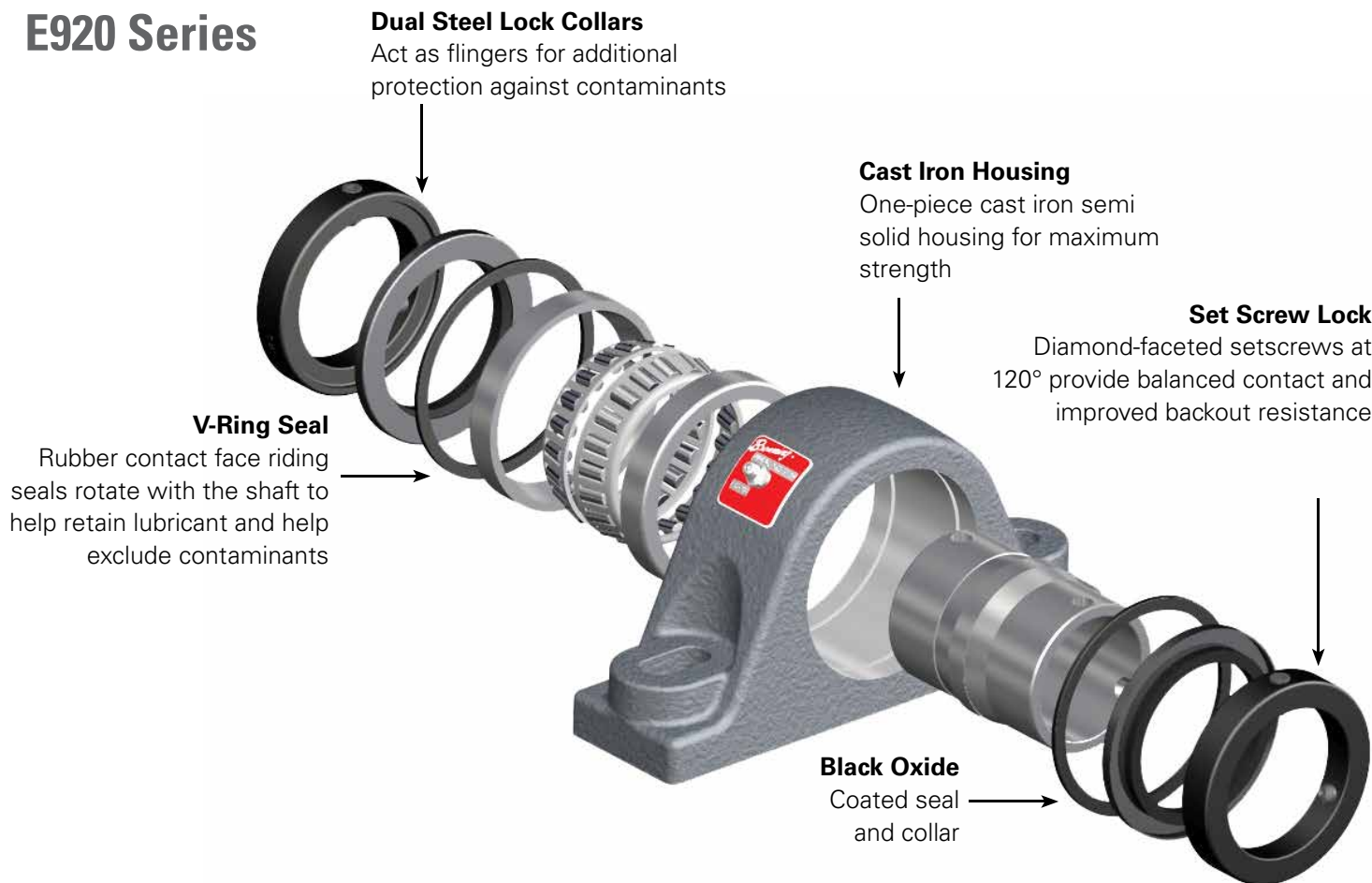


# **BROWNING<sup>®</sup> E920 TAPERED ROLLER BEARING**

**REGAL**<sup>®</sup>

# BROWNING® TAPERED ROLLER BEARING

## E920 Series



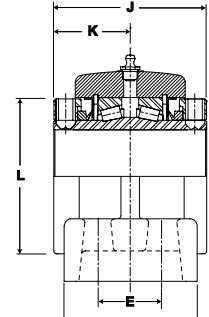
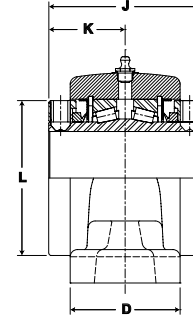
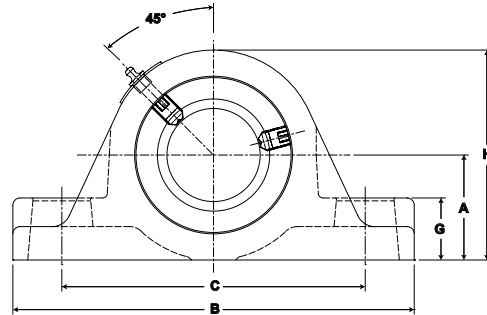
### COMPETITIVE COMPARISON

	Seal Types	Seal Mount	Setscrew Angle	Setscrew Type	Seal Treatment	Collar Treatment
<b>Browning® E920</b>	<b>Contact</b>	<b>Race-Mounted, rotates with shaft</b>	<b>120°</b>	<b>Diamond Faceted</b>	<b>Black Oxide</b>	<b>Black Oxide</b>
Dodge® Type E	Contact	Housing Mount, Stationary	65°	Cup Point	N/A	Paint
Timken® Type E	Contact	Housing Mount, Stationary	65°	Cup Point	N/A	Paint
Moline Type E	Contact	Housing Mount, Stationary	65°	Cup Point	N/A	Black Oxide
Royersford™	Contact	Housing Mount, Stationary	65°	Cup Point	N/A	Black Oxide

		Brand				
		Browning®	Dodge®	Timken®	Moline	Royersford™
Series	<b>PBE</b>	P2B-E	E-P2B-TRB	19321	20-02	
	<b>PBFE</b>	P4B-E	E-P4B-TRB	19341	20-04	
	<b>FBE</b>	F4B-E	E-4BF-TRB	19331	20-05	
	<b>TUE</b>	WSTU-E	E-TU-TRB	19351	20-07	
	<b>Take-up Frames</b>					
	<b>XX-XXT1000</b>	CPXXX	QMTFXXX	-	-	



## E920 PILLOW BLOCK

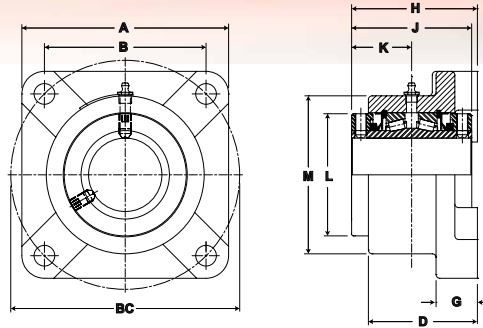


Shaft Dia. (in)	Part Description	Basic Dynamic Rating C (lb)	Dimensions (in)										Unit Wt. (lb)*	Dodge® Interchange		
			A	B	C		D	E	G	H	J	K			L	Bolt Size
			TWO BOLT BASE													
1 3/16	PBE920x 1 3/16	2,975	1 1/2	6 3/8	4 5/16	5	1 7/8	-	7/8	3	2 3/4	1 25/64	2 1/4	1/2	4	P2B-E-103R
1 1/4	PBE920x 1 1/4	2,975	1 1/2	6 3/8	4 5/16	5	1 7/8	-	7/8	3	2 3/4	1 25/64	2 1/4	1/2	4	P2B-E-104R
1 3/8	PBE920x 1 3/8	4,760	1 7/8	7 3/8	5	6	2 1/8	-	1 1/8	3 3/4	3	1 1/2	2 3/4	1/2	7	P2B-E-106R
1 7/16	PBE920x 1 7/16	4,760	1 7/8	7 3/8	5	6	2 1/8	-	1 1/8	3 3/4	3	1 1/2	2 3/4	1/2	7	P2B-E-107R
1 1/2	PBE920x 1 1/2	6,140	2 1/8	7 7/8	5 11/16	6 1/2	2 1/2	-	1 1/4	4 1/4	3 3/8	1 11/16	3 3/16	1/2	10	P2B-E-108R
1 5/8	PBE920x 1 5/8	6,140	2 1/8	7 7/8	5 11/16	6 1/2	2 1/2	-	1 1/4	4 1/4	3 3/8	1 11/16	3 3/16	1/2	10	P2B-E-110R
1 11/16	PBE920x 1 11/16	6,140	2 1/8	7 7/8	5 11/16	6 1/2	2 1/2	-	1 1/4	4 1/4	3 3/8	1 11/16	3 3/16	1/2	10	P2B-E-111R
1 3/4	PBE920x 1 3/4	8,070	2 1/4	8 7/8	6 3/16	7 1/4	2 1/2	-	1 1/4	4 1/2	3 1/2	1 3/4	3 7/16	5/8	11	P2B-E-112R
1 15/16	PBE920x 1 15/16	8,070	2 1/4	8 7/8	6 3/16	7 1/4	2 1/2	-	1 1/4	4 1/2	3 1/2	1 3/4	3 7/16	5/8	11	P2B-E-115R
2	PBE920x 2	8,070	2 1/4	8 7/8	6 3/16	7 1/4	2 1/2	-	1 1/4	4 1/2	3 1/2	1 3/4	3 7/16	5/8	11	P2B-E-200R
2 3/16	PBE920x 2 3/16	8,570	2 1/2	9 5/8	6 11/16	8	2 5/8	-	1 7/16	5	3 3/4	1 7/8	3 3/4	5/8	14	P2B-E-203R
2 1/4	PBE920x 2 1/4	9,030	2 3/4	10 1/2	7 1/8	8 3/4	2 7/8	-	1 5/8	5 1/2	4	2	4 1/16	5/8	19	P2B-E-204R
2 7/16	PBE920x 2 7/16	9,030	2 3/4	10 1/2	7 1/8	8 3/4	2 7/8	-	1 5/8	5 1/2	4	2	4 1/16	5/8	19	P2B-E-207R
2 1/2	PBE920x 2 1/2	9,030	2 3/4	10 1/2	7 1/8	8 3/4	2 7/8	-	1 5/8	5 1/2	4	2	4 1/16	5/8	19	P2B-E-208R
2 11/16	PBE920x 2 11/16	9,630	3 1/8	12	8 7/16	9 3/4	3	-	1 3/4	6 1/4	4 1/2	2 1/4	4 23/32	3/4	26	P2B-E-211R
2 3/4	PBE920x 2 3/4	9,630	3 1/8	12	8 7/16	9 3/4	3	-	1 3/4	6 1/4	4 1/2	2 1/4	4 23/32	3/4	26	P2B-E-212R
2 15/16	PBE920x 2 15/16	9,630	3 1/8	12	8 7/16	9 3/4	3	-	1 3/4	6 1/4	4 1/2	2 1/4	4 23/32	3/4	26	P2B-E-215R
3	PBE920x 3	9,630	3 1/8	12	8 7/16	9 3/4	3	-	1 3/4	6 1/4	4 1/2	2 1/4	4 23/32	3/4	26	P2B-E-300R
3 3/16	PBE920x 3 3/16	15,320	3 3/4	14	9 3/4	11 1/2	3 5/8	-	2 1/8	7 1/2	5	2 1/2	5 7/16	7/8	44	P2B-E-303R
3 7/16	PBE920x 3 7/16	15,320	3 3/4	14	9 3/4	11 1/2	3 5/8	-	2 1/8	7 1/2	5	2 1/2	5 7/16	7/8	44	P2B-E-307R
3 1/2	PBE920x 3 1/2	15,320	3 3/4	14	9 3/4	11 1/2	3 5/8	-	2 1/8	7 1/2	5	2 1/2	5 7/16	7/8	44	P2B-E-308R
			FOUR BOLT BASE													
2 1/4	PBE920Fx 2 1/4	9,030	2 3/4	10 1/2	7 1/8	8 3/4	3 1/2	1 7/8	1 5/8	5 1/2	4	2	4 1/16	5/8	19	P4B-E-204R
2 7/16	PBE920Fx 2 7/16	9,030	2 3/4	10 1/2	7 1/8	8 3/4	3 1/2	1 7/8	1 5/8	5 1/2	4	2	4 1/16	5/8	19	P4B-E-207R
2 1/2	PBE920Fx 2 1/2	9,030	2 3/4	10 1/2	7 1/8	8 3/4	3 1/2	1 7/8	1 5/8	5 1/2	4	2	4 1/16	5/8	19	P4B-E-208R
2 11/16	PBE920Fx 2 11/16	9,630	3 1/8	12	8	9 7/8	4	2 1/8	1 3/4	6 1/4	4 1/2	2 1/4	4 23/32	5/8	26	P4B-E-211R
2 3/4	PBE920Fx 2 3/4	9,630	3 1/8	12	8	9 7/8	4	2 1/8	1 3/4	6 1/4	4 1/2	2 1/4	4 23/32	5/8	26	P4B-E-212R
2 15/16	PBE920Fx 2 15/16	9,630	3 1/8	12	8	9 7/8	4	2 1/8	1 3/4	6 1/4	4 1/2	2 1/4	4 23/32	5/8	26	P4B-E-215R
3	PBE920Fx 3	9,630	3 1/8	12	8	9 7/8	4	2 1/8	1 3/4	6 1/4	4 1/2	2 1/4	4 23/32	5/8	26	P4B-E-300R
3 3/16	PBE920Fx 3 3/16	15,320	3 3/4	14	9 11/16	11 7/16	4 1/2	2 3/8	2 1/8	7 1/2	5	2 1/2	5 7/16	3/4	44	P4B-E-303R
3 7/16	PBE920Fx 3 7/16	15,320	3 3/4	14	9 11/16	11 7/16	4 1/2	2 3/8	2 1/8	7 1/2	5	2 1/2	5 7/16	3/4	44	P4B-E-307R
3 1/2	PBE920Fx 3 1/2	15,320	3 3/4	14	9 11/16	11 7/16	4 1/2	2 3/8	2 1/8	7 1/2	5	2 1/2	5 7/16	3/4	44	P4B-E-308R
3 15/16	PBE920Fx 3 15/16	20,980	4 1/4	15 1/4	10 7/16	12 7/8	4 1/2	2 1/4	2 7/16	8 1/2	6 1/4	3 1/8	5 15/16	3/4	65	P4B-E-315R
4	PBE920Fx 4	20,980	4 1/4	15 1/4	10 7/16	12 7/8	4 1/2	2 1/4	2 7/16	8 1/2	6 1/4	3 1/8	5 15/16	3/4	65	P4B-E-400R
4 7/16	PBE920Fx 4 7/16	25,750	4 3/4	16 5/8	11 1/4	13 7/8	4 1/2	2 1/2	2 3/4	9 3/8	6 3/4	3 3/8	6 13/32	3/4	65	P4B-E-407R
4 1/2	PBE920Fx 4 1/2	25,750	4 3/4	16 5/8	11 1/4	13 7/8	4 1/2	2 1/2	2 3/4	9 3/8	6 3/4	3 3/8	6 13/32	3/4	65	P4B-E-408R
4 15/16	PBE920Fx 4 15/16	35,520	5 1/2	18 1/2	13	15 7/8	5 1/8	2 3/4	3 1/8	10 7/8	7 1/4	3 5/8	7 13/32	7/8	132	P4B-E-415R
5	PBE920Fx 5	35,520	5 1/2	18 1/2	13	15 7/8	5 1/8	2 3/4	3 1/8	10 7/8	7 1/4	3 5/8	7 13/32	7/8	132	P4B-E-500R

\* rounded to nearest lb



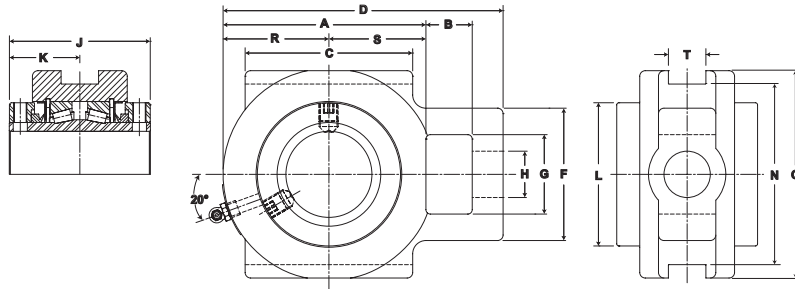
## E920 FOUR-BOLT FLANGE



Shaft Dia. (in)	Part Description	Basic Dynamic Rating C (lb)	Dimensions (in)										Unit Wt. (lb)*	Dodge® Interchange
			A	B.C.	B	D	G	H	J	L	M	BOLT SIZE		
1 3/16	FBE920x 1 3/16	2,975	3 3/4	4 1/16	2 7/8	2 3/8	1 1/32	2 27/32	2 3/4	2 1/4	3	3/8	5	F4B-E-103R
1 1/4	FBE920x 1 1/4	2,975	3 3/4	4 1/16	2 7/8	2 3/8	1 1/32	2 27/32	2 3/4	2 1/4	3	3/8	5	F4B-E-104R
1 3/8	FBE920x 1 3/8	4,760	4 5/8	4 61/64	3 1/2	2 5/8	1 1/16	3 5/64	3	2 3/4	3 5/8	1/2	7	F4B-E-106R
1 7/16	FBE920x 1 7/16	4,760	4 5/8	4 61/64	3 1/2	2 5/8	1 1/16	3 5/64	3	2 3/4	3 5/8	1/2	7	F4B-E-107R
1 1/2	FBE920x 1 1/2	6,140	5 3/8	5 53/64	4 1/8	3	1 3/16	3 29/64	3 3/8	3 3/16	4 1/4	1/2	10	F4B-E-108R
1 5/8	FBE920x 1 5/8	6,140	5 3/8	5 53/64	4 1/8	3	1 3/16	3 29/64	3 3/8	3 3/16	4 1/4	1/2	10	F4B-E-110R
1 11/16	FBE920x 1 11/16	6,140	5 3/8	5 53/64	4 1/8	3	1 3/16	3 29/64	3 3/8	3 3/16	4 1/4	1/2	10	F4B-E-111R
1 3/4	FBE920x 1 3/4	8,070	5 5/8	6 3/16	4 3/8	3 1/8	1 3/16	3 5/8	3 1/2	3 7/16	4 1/2	1/2	12	F4B-E-112R
1 15/16	FBE920x 1 15/16	8,070	5 5/8	6 3/16	4 3/8	3 1/8	1 3/16	3 5/8	3 1/2	3 7/16	4 1/2	1/2	12	F4B-E-115R
2	FBE920x 2	8,070	5 5/8	6 3/16	4 3/8	3 1/8	1 3/16	3 5/8	3 1/2	3 7/16	4 1/2	1/2	12	F4B-E-200R
2 3/16	FBE920x 2 3/16	8,570	6 1/4	6 57/64	4 7/8	3 5/16	1 1/4	3 7/8	3 3/4	3 3/4	4 7/8	5/8	16	F4B-E-203R
2 1/4	FBE920x 2 1/4	9,030	6 7/8	7 39/64	5 3/8	3 5/8	1 1/2	4 3/16	4	4 1/16	5 1/4	5/8	21	F4B-E-204R
2 7/16	FBE920x 2 7/16	9,030	6 7/8	7 39/64	5 3/8	3 5/8	1 1/2	4 3/16	4	4 1/16	5 1/4	5/8	21	F4B-E-207R
2 1/2	FBE920x 2 1/2	9,030	6 7/8	7 39/64	5 3/8	3 5/8	1 1/2	4 3/16	4	4 1/16	5 1/4	5/8	21	F4B-E-208R
2 11/16	FBE920x 2 11/16	9,630	7 3/4	8 31/64	6	3 15/16	1 5/8	4 11/16	4 1/2	4 23/32	6 1/8	3/4	28	F4B-E-211R
2 3/4	FBE920x 2 3/4	9,630	7 3/4	8 31/64	6	3 15/16	1 5/8	4 11/16	4 1/2	4 23/32	6 1/8	3/4	28	F4B-E-212R
2 15/16	FBE920x 2 15/16	9,630	7 3/4	8 31/64	6	3 15/16	1 5/8	4 11/16	4 1/2	4 23/32	6 1/8	3/4	28	F4B-E-215R
3	FBE920x 3	9,630	7 3/4	8 31/64	6	3 15/16	1 5/8	4 11/16	4 1/2	4 23/32	6 1/8	3/4	28	F4B-E-300R
3 3/16	FBE920x 3 3/16	15,320	9 1/4	9 29/32	7	4 9/16	1 7/8	5 1/4	5	5 7/16	7 1/2	3/4	46	F4B-E-303R
3 7/16	FBE920x 3 7/16	15,320	9 1/4	9 29/32	7	4 9/16	1 7/8	5 1/4	5	5 7/16	7 1/2	3/4	46	F4B-E-307R
3 1/2	FBE920x 3 1/2	15,320	9 1/4	9 29/32	7	4 9/16	1 7/8	5 1/4	5	5 7/16	7 1/2	3/4	46	F4B-E-307R
3 15/16	FBE920x 3 15/16	20,980	10 1/4	10 31/32	7 3/4	5 11/16	2 3/16	6 9/16	6 1/4	5 15/16	8 1/4	7/8	64	F4B-E-315R
4	FBE920x 4	20,980	10 1/4	10 31/32	7 3/4	5 11/16	2 3/16	6 9/16	6 1/4	5 15/16	8 1/4	7/8	64	F4B-E-400R

\* rounded to nearest lb

## E920 WIDE-SLOT TAKE UP

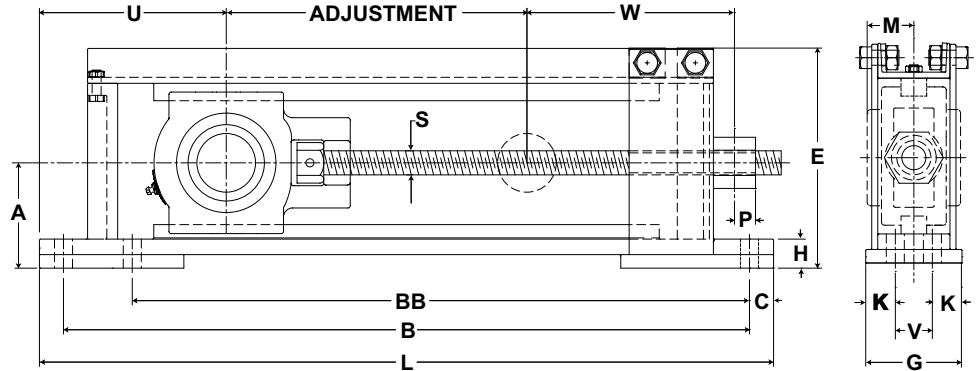


Shaft Dia. (in)	Part Description	Basic Dynamic Rating C (lb)	Dimensions (in)															Unit Wt. (lb)*	Dodge® Interchange
			A	B	C	D	F	G	H	J	K	L	N	O	R	S	T		
1 3/8	TUE920x 1 3/8	4,760	3 3/4	5/8	2 3/4	5 3/32	2 7/16	1 7/16	13/16	3	1 1/2	2 3/4	3 1/2	4 1/8	1 3/4	1 29/32	17/32	6	WSTU-E-103R
1 7/16	TUE920x 1 7/16	4,760	3 3/4	5/8	2 3/4	5 3/32	2 7/16	1 7/16	13/16	3	1 1/2	2 3/4	3 1/2	4 1/8	1 3/4	1 29/32	17/32	6	WSTU-E-107R
1 1/2	TUE920x 1 1/2	6,140	4 5/16	1 1/16	3 1/4	6	2 7/8	1 15/16	1 1/16	3 3/8	1 11/16	3 3/16	4	4 3/4	2 1/4	2 1/8	11/16	9	WSTU-E-108R
1 11/16	TUE920x 1 11/16	6,140	4 5/16	1 1/16	3 1/4	6	2 7/8	1 15/16	1 1/16	3 3/8	1 11/16	3 3/16	4	4 3/4	2 1/4	2 1/8	11/16	9	WSTU-E-111R
1 3/4	TUE920x 1 3/4	8,070	4 3/8	1 1/16	3 1/2	6 3/16	2 7/8	1 15/16	1 1/16	3 1/2	1 3/4	3 7/16	4	4 3/4	2 1/2	2 1/8	11/16	12	WSTU-E-112R
1 15/16	TUE920x 1 15/16	8,070	4 3/8	1 1/16	3 1/2	6 3/16	2 7/8	1 15/16	1 1/16	3 1/2	1 3/4	3 7/16	4	4 3/4	2 1/2	2 1/8	11/16	12	WSTU-E-115R
2	TUE920x 2	8,070	4 3/8	1 1/16	3 1/2	6 3/16	2 7/8	1 15/16	1 1/16	3 1/2	1 3/4	3 7/16	4	4 3/4	2 1/2	2 1/8	11/16	12	WSTU-E-200R
2 3/16	TUE920x 2 3/16	8,570	4 7/8	1 3/16	3 3/4	6 13/16	3 1/2	2 1/4	1 3/16	3 3/4	1 7/8	3 3/4	4 1/2	5 1/4	2 1/2	2 3/8	13/16	16	WSTU-E-203R
2 7/16	TUE920x 2 7/16	9,030	5 3/4	1 5/16	4 3/4	7 15/16	3 3/4	2 1/4	1 5/16	4	2	4 1/16	5 1/8	5 7/8	3	2 3/4	1 1/16	21	WSTU-E-207R
2 1/2	TUE920x 2 1/2	9,030	5 3/4	1 5/16	4 3/4	7 15/16	3 3/4	2 1/4	1 5/16	4	2	4 1/16	5 1/8	5 7/8	3	2 3/4	1 1/16	21	WSTU-E-208R
2 11/16	TUE920x 2 11/16	9,630	6 3/16	1 9/16	4 3/4	8 3/4	4 1/4	2 3/4	1 9/16	4 1/2	2 1/4	4 23/32	5 15/16	6 3/4	3 1/4	3	1 13/16	30	WSTU-E-211R
2 3/4	TUE920x 2 3/4	9,630	6 3/16	1 9/16	4 3/4	8 3/4	4 1/4	2 3/4	1 9/16	4 1/2	2 1/4	4 23/32	5 15/16	6 3/4	3 1/4	3	1 13/16	30	WSTU-E-212R
2 15/16	TUE920x 2 15/16	9,630	6 3/16	1 9/16	4 3/4	8 3/4	4 1/4	2 3/4	1 9/16	4 1/2	2 1/4	4 23/32	5 15/16	6 3/4	3 1/4	3	1 13/16	30	WSTU-E-215R
3	TUE920x 3	9,630	6 3/16	1 9/16	4 3/4	8 3/4	4 1/4	2 3/4	1 9/16	4 1/2	2 1/4	4 23/32	5 15/16	6 3/4	3 1/4	3	1 13/16	30	WSTU-E-300R
3 7/16	TUE920x 3 7/16	15,320	7 5/8	1 13/16	6 1/4	10 7/16	4 7/8	2 7/8	1 13/16	5	2 1/2	5 7/16	6 13/16	7 5/8	4	3 5/8	1 13/16	44	WSTU-E-307R
3 15/16	TUE920x 3 15/16	20,980	8 9/16	2 1/8	7	11 13/16	5 5/8	3 3/8	2 3/16	6 1/4	3 1/8	5 15/16	8 5/8	9 7/16	4 1/2	4 1/8	2 1/16	70	WSTU-E-315R
4 7/16	TUE920x 4 7/16	25,750	8 9/16	2 1/8	7	11 13/16	5 5/8	3 3/8	2 3/16	6 3/4	3 3/8	6 13/32	8 5/8	9 7/16	4 1/2	4 1/8	2 1/16	74	WSTU-E-407R

\* rounded to nearest lb



## CENTER-PULL TAKE-UP FRAMES



Shaft Dia. (in)	Part Description	Dimensions (in)																Unit Wt. (lb)*		Dodge® Interchange		
		Travel		A	B	BB	C	E	G	H	K	L	M	P	S	U	V	W	BOLTS REQ'D			
		Nominal	Max																NO.		Size	
1 3/4	12-16.5T1000D	12	16.5	3 15/16	27 1/2	26 1/2	1	8 9/32	4	1 1/4	-	29 1/2	1 7/8	1 1/4	1-8NC	5 3/8	-	5 5/8	2	5/8	60	CP400X12
1 15/16	18-22.5T1000D	18	22.5	3 15/16	33 1/2	32 1/2	1	8 9/32	4	1 1/4	-	35 1/2	1 7/8	1 1/4	1-8NC	5 3/8	-	5 5/8	2	5/8	70	CP400X18
2	24-28.5T1000D	24	28.5	3 15/16	39 1/2	38 1/2	1	8 9/32	4	1 1/4	-	41 1/2	1 7/8	1 1/4	1-8NC	5 3/8	-	5 5/8	2	5/8	80	CP400X24
2 3/16	12-17T1000EL	12	17	4 3/16	27 1/2	-	1	8 21/32	4	1 3/8	-	29 1/2	2	1 5/8	1 1/8-7NC	4 9/16	-	5 15/16	2	5/8	65	-
	18-23T1000EL	18	23	4 3/16	33 1/2	-	1	8 21/32	4	1 3/8	-	35 1/2	2	1 5/8	1 1/8-7NC	4 9/16	-	5 15/16	2	5/8	77	-
	24-29T1000EL	24	29	4 3/16	39 1/2	-	1	8 21/32	4	1 3/8	-	41 1/2	2	1 5/8	1 1/8-7NC	4 9/16	-	5 15/16	2	5/8	86	-
2 3/16	12-17T1000EH	12	17	4 7/16	27 1/2	-	1	8 29/32	4	1 5/8	-	29 1/2	2	1 5/8	1 1/8-7NC	4 9/16	-	5 15/16	2	5/8	68	CP408X12
	18-23T1000EH	18	23	4 7/16	33 1/2	-	1	8 29/32	4	1 5/8	-	35 1/2	2	1 5/8	1 1/8-7NC	4 9/16	-	5 15/16	2	5/8	80	CP408X18
	24-29T1000EH	24	29	4 7/16	39 1/2	-	1	8 29/32	4	1 5/8	-	41 1/2	2	1 5/8	1 1/8-7NC	4 9/16	-	5 15/16	2	5/8	91	CP408X24
	12-16.6T1000F	12	16.6	4 3/8	28 1/2	-	1	9 9/32	4	1 1/8	-	30 1/2	2 1/8	1 3/4	1 1/4-7NC	5 5/16	-	6 9/16	2	3/4	71	CP502X12
2 7/16	18-22.6T1000F	18	22.6	4 3/8	34 1/2	-	1	9 9/32	4	1 1/8	-	36 1/2	2 1/8	1 3/4	1 1/4-7NC	5 5/16	-	6 9/16	2	3/4	81	CP502X18
2 1/2	24-28.6T1000F	24	28.6	4 3/8	40 1/2	-	1	9 9/32	4	1 1/8	-	42 1/2	2 1/8	1 3/4	1 1/4-7NC	5 5/16	-	6 9/16	2	3/4	91	CP502X24
	30-34.6T1000F	30	34.6	4 3/8	46 1/2	-	1	9 9/32	4	1 1/8	-	48 1/2	2 1/8	1 3/4	1 1/4-7NC	5 5/16	-	6 9/16	2	3/4	111	CP502X30
2 11/16	12-15.5T1000GL	12	15.5	4 15/16	30 1/2	-	1	10 11/16	5	31/32	1 1/2	32 1/2	2 3/8	1/2	1 1/2-6NC	6 1/2	2	8 1/2	4	5/8	105	-
2 3/4	18-21.5T1000GL	18	21.5	4 15/16	36 1/2	-	1	10 11/16	5	31/32	1 1/2	38 1/2	2 3/8	1/2	1 1/2-6NC	6 1/2	2	8 1/2	4	5/8	120	-
2 15/16	24-27.5T1000GL	24	27.5	4 15/16	42 1/2	-	1	10 11/16	5	31/32	1 1/2	44 1/2	2 3/8	1/2	1 1/2-6NC	6 1/2	2	8 1/2	4	5/8	135	-
3	30-33.5T1000GL	30	33.5	4 15/16	48 1/2	-	1	10 11/16	5	31/32	1 1/2	50 1/2	2 3/8	1/2	1 1/2-6NC	6 1/2	2	8 1/2	4	5/8	150	-
2 11/16	12-15.5T1000GH	12	15.5	5 1/8	30 1/2	-	1	10 7/8	5	1 5/32	1 1/2	32 1/2	2 3/8	1/2	1 1/2-6NC	6 1/2	2	8 1/2	4	5/8	109	CP515X12
2 3/4	18-21.5T1000GH	18	21.5	5 1/8	36 1/2	-	1	10 7/8	5	1 5/32	1 1/2	38 1/2	2 3/8	1/2	1 1/2-6NC	6 1/2	2	8 1/2	4	5/8	126	CP515X18
2 15/16	24-27.5T1000GH	24	27.5	5 1/8	42 1/2	-	1	10 7/8	5	1 5/32	1 1/2	44 1/2	2 3/8	1/2	1 1/2-6NC	6 1/2	2	8 1/2	4	5/8	141	CP515X24
3	30-33.5T1000GH	30	33.5	5 1/8	48 1/2	-	1	10 7/8	5	1 5/32	1 1/2	50 1/2	2 3/8	1/2	1 1/2-6NC	6 1/2	2	8 1/2	4	5/8	156	CP515X30
3 3/16	12-15.5T1000JL	12	15.5	5 7/16	32	-	1 1/8	11 5/8	5	1 1/32	1 1/2	34 1/4	2 19/32	1	1 3/4-5NC	7 5/16	2	9 3/16	4	3/4	138	138
3 7/16	18-21.5T1000JL	18	21.5	5 7/16	38	-	1 1/8	11 5/8	5	1 1/32	1 1/2	40 1/4	2 19/32	1	1 3/4-5NC	7 5/16	2	9 3/16	4	3/4	156	156
3 1/2	24-27.5T1000JL	24	27.5	5 7/16	44	-	1 1/8	11 5/8	5	1 1/32	1 1/2	46 1/4	2 19/32	1	1 3/4-5NC	7 5/16	2	9 3/16	4	3/4	173	173
	30-33.5T1000JL	30	33.5	5 7/16	50	-	1 1/8	11 5/8	5	1 1/32	1 1/2	52 1/4	2 19/32	1	1 3/4-5NC	7 5/16	2	9 3/16	4	3/4	191	191
3 3/16	12-15.5T1000JH	12	15.5	5 5/8	32	-	1 1/8	11 13/16	5	1 7/32	1 1/2	34 1/4	2 19/32	1	1 3/4-5NC	7 5/16	2	9 3/16	4	3/4	145	CP613X12
3 7/16	18-21.5T1000JH	18	21.5	5 5/8	38	-	1 1/8	11 13/16	5	1 7/32	1 1/2	40 1/4	2 19/32	1	1 3/4-5NC	7 5/16	2	9 3/16	4	3/4	163	CP613X18
3 1/2	24-27.5T1000JH	24	27.5	5 5/8	44	-	1 1/8	11 13/16	5	1 7/32	1 1/2	46 1/4	2 19/32	1	1 3/4-5NC	7 5/16	2	9 3/16	4	3/4	179	CP613X24
	30-33.5T1000JH	30	33.5	5 5/8	50	-	1 1/8	11 13/16	5	1 7/32	1 1/2	52 1/4	2 19/32	1	1 3/4-5NC	7 5/16	2	9 3/16	4	3/4	197	CP613X30
3 11/16	12-18T1000K	12	18	7	36	-	1 1/4	14 15/32	6	1 7/16	1 3/4	38 1/2	2 31/32	1 5/8	2-4 1/2NC	7 1/2	2 1/2	10 7/16	4	3/4	191	CP810X12
3 15/16	18-24T1000K	18	24	7	42	-	1 1/4	14 15/32	6	1 7/16	1 3/4	44 1/2	2 31/32	1 5/8	2-4 1/2NC	7 1/2	2 1/2	10 7/16	4	3/4	223	CP810X18
4 7/16	24-30T1000K	24	30	7	48	-	1 1/4	14 15/32	6	1 7/16	1 3/4	50 1/2	2 31/32	1 5/8	2-4 1/2NC	7 1/2	2 1/2	10 7/16	4	3/4	249	CP810X24
4 1/2	30-36T1000K	30	36	7	54	-	1 1/4	14 15/32	6	1 7/16	1 3/4	56 1/2	2 31/32	1 5/8	2-4 1/2NC	7 1/2	2 1/2	10 7/16	4	3/4	274	CP810X30

\* rounded to nearest lb

For specific interchange information and dimensional comparisons, please visit Smart Interchange at [www.RegalPTS.com](http://www.RegalPTS.com) under Engineering Tools.



**Regal Power Transmission Solutions  
Regal Beloit America, Inc.**

7120 New Buffington Road  
Florence, KY 41042

Customer Service: 800-626-2120

Fax: 800-262-3292

Technical Service: 800-626-2093

[www.RegalPTS.com](http://www.RegalPTS.com)

**APPLICATION CONSIDERATIONS**

The proper selection and application of power transmission products and components, including the related area of product safety, is the responsibility of the customer. Operating and performance requirements and potential associated issues will vary appreciably depending upon the use and application of such products and components. The scope of the technical and application information included in this publication is necessarily limited. Unusual operating environments and conditions, lubrication requirements, loading supports, and other factors can materially affect the application and operating results of the products and components and the customer should carefully review its requirements. Any technical advice or review furnished by Regal Beloit America, Inc. and/or its affiliates ("Regal") with respect to the use of products and components is given in good faith and without charge, and Regal assumes no obligation or liability for the advice given, or results obtained, all such advice and review being given and accepted at customer's risk.

For a copy of our Standard Terms and Conditions of Sale, please visit <http://www.regalbeloit.com> (please see link at bottom of page to "Standard Terms and Conditions of Sale"). These terms and conditions of sale, disclaimers and limitations of liability apply to any person who may buy, acquire or use a Regal product referred to herein, including any person who buys from a licensed distributor of these branded products.

Dodge and Timken are copyrights of Baldor Electric Company and The Timken Company, respectively. Royersford is a trademark of Royersford Foundry & Machine Co., Inc.

Regal and Browning are trademarks of Regal Beloit Corporation or one of its affiliated companies.

©2017 Regal Beloit Corporation, All Rights Reserved. MCB17002E • Form# 10125E

