

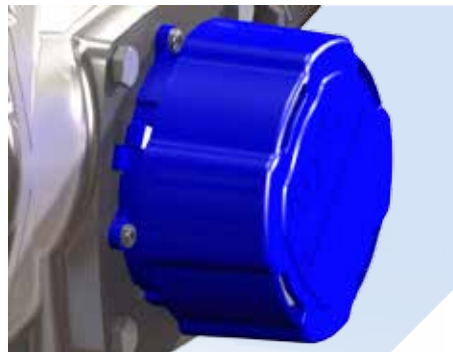
# HUBLOC® KEYLESS BUSHING SYSTEM

# VERSATILE, ROBUST, EASILY INSTALLED, AVAILABLE IN BOTH CARBON STEEL & STAINLESS STEEL

## HUBLOC<sup>®</sup> KEYLESS BUSHING SYSTEM

### FEATURING

- The HubLoc system creates a keyless, backlash-free mechanical interference fit that eliminates the micromovement that causes fretting and cold welding.
- Self-centering design achieves optimum concentricity and eliminates oscillation in shaft mounted applications.
- Minimizes customer inventory, as one gearbox can be used for multiple shaft diameters.
- Ambidextrous design allows the shaft to be mounted on either side of the gearbox.
- HubLoc system can be installed easily in a few minutes requiring only standard hand tools.
- Is easily uninstalled using threaded push-off holes.
- Double tapered design allows a wide range of tolerances found on standard shafting.
- Available in both carbon steel and stainless steel.
- Available in a wide range of standard bores, with custom bores available upon request.
- Available as an option on select sizes of Worm Speed Reducers, HERA<sup>®</sup> Gear Drive, Helical Bevel, Helical Worm, and Compact Helical Parallel, in both Cast Iron and Stainless Steel.
- HubCap<sup>®</sup> protective covers are made from metal-detectable plastic to support customer HACCP programs. The blue color of the covers indicates that they are metal-detectable.
- Tamper resistant HubCap protective covers are easily installed by hand and require a hand tool for removal. No additional hardware needed.
- The open HubCap cover is split so that it can be installed after bushing installation. The two cover halves snap together for easy installation by hand.
- NEW – Heavy Duty Stainless Steel Safety Covers available to provide an extra measure of protection where needed. In stock for Model HERA35 and HERA45 Gear Drives. Other sizes available on request.



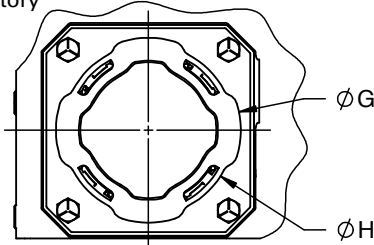
## ORDERING INFORMATION

**Step 1: Choose HubLoc® Model based on your Product Line and Series/Model.**

CAST IRON PRODUCTS	PRODUCT LINE	SERIES/ MODEL	HUBLOC MODEL
	Worm Speed Reducers		210
		W240	HL10CS
		260	HL10CS
		300	HL40CS
		320	HL40CS
		380	HL40CS
HERA® Gear Drive		HERA35 ▲	HL10CS
		HERA45 ▲	HL10CS
		HERA55 ▲	HL40CS
		HERA75 ◆	HL40CS
Helical Bevel		HB2040 ▲	HL10CS
		HB2060 ▲	HL20CS
		HB2070 ▲	HL40CS
Helical Worm		HW2050	HL10CS
		HW2060	HL20CS
		HW2070	HL40CS
Compact Parallel		HP2040	HL10CS
		HP2060	HL20CS
STAINLESS STEEL PRODUCTS	Stainless Steel Worm Speed Reducers	SSW210	HL10SS
		SSW240	HL10SS
		SSW260	HL10SS
		SSW320	HL40SS
	Stainless Steel HERA Gear Drive	SSHERA35 ▲	HL10SS
		SSHERA45 ▲	HL10SS
	Stainless Steel Helical Bevel	SSHB2040 ▲	HL10SS
		SSHB2060 ▲	HL20SS
		SSHB2070 ▲	HL40SS

▲ Quick Ship Item

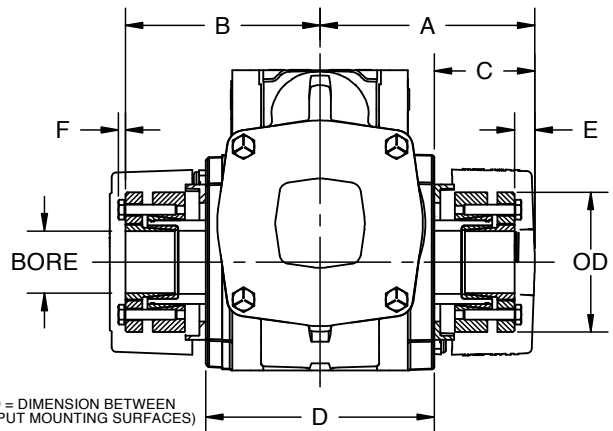
◆ Model HERA75 Requires Special Covers. Consult Factory



**Step 2: Choose HubLoc Kit based on HubLoc Model determined in Step 1, and bore size desired.**

CARBON STEEL HUBLOC® KITS	HUBLOC MODEL	BORES	HUBLOC KIT MODEL
	HL10CS		1.000
		1.188	HL10CS103K*
		1.250	HL10CS104K*
		1.375	HL10CS106K*
		1.438	HL10CS107K*
HL20CS		1.500	HL20CS108K*
HL40CS		1.250	HL40CS104K
		1.438	HL40CS107K*
		1.500	HL40CS108K
		1.938	HL40CS115K*
		2.000	HL40CS200K*
STAINLESS STEEL HUBLOC® KITS	HL10SS	1.000	HL10SS100K*
		1.188	HL10SS103K*
		1.250	HL10SS104K*
		1.375	HL10SS106K*
		1.438	HL10SS107K*
	HL20SS	1.438	HL20SS107K*
		1.500	HL20SS108K*
	HL40SS	1.250	HL40SS104K*
		1.438	HL40SS107K*
		1.938	HL40SS115K*
	2.000	HL40SS200K*	

\*Stock Kit.



### STOCK MODEL DIMENSIONS

MODELS	A	B	C	D	E	F	G	OD
HERA35	4.66	4.25	2.40	4.53	0.41	0.16	4.28	3.23
HERA45	5.04	4.50	2.40	5.28	0.54	0.16	4.28	3.23
HERA55	6.26	5.32	3.11	6.3	0.94	0.16	5.23	4.02
HB2040	5.25	4.76	2.40	5.71	0.49	0.16	4.28	3.23
HB2060	6.57	5.64	3.11	6.92	0.93	0.16	5.23	3.39
HB2070	7.09	6.10	3.11	7.96	0.99	0.16	5.23	4.02
SSHERA35	4.78	4.25	2.40	4.77	0.53	0.16	4.28	3.23
SSHERA45	5.04	4.50	2.40	5.28	0.54	0.16	4.28	3.23
SSHB2040	5.25	4.76	2.40	5.71	0.49	0.16	4.28	3.23
SSHB2060	6.57	5.64	3.11	6.92	0.93	0.16	5.23	3.39
SSHB2070	7.09	6.10	3.11	7.96	0.99	0.16	5.23	4.02

HubLoc Kit contains (2) Bushings Sets, (1) HubCap® Closed Protective Cover, and (1) HubCap Open Protective Cover.

#### NEW - HEAVY DUTY STAINLESS STEEL SAFETY COVERS

SSHERA35 - CLOSED COVER KIT	0259-00294
SSHERA35 - OPEN COVER KIT	0259-00295
SSHERA45 - CLOSED COVER KIT	0259-00292
SSHERA45 - OPEN COVER KIT	0259-00293

Note: above kits include hardware and covers for one side of unit. (open covers allow output shaft to protrude)

# LOCATED TO SERVE YOU!

24-Hour assembly and shipment, and on-the-shelf availability of our most sought after products

## HUB CITY™ HEADQUARTERS

2914 Industrial Avenue  
Aberdeen, SD 57402  
(605) 225-0360  
(800) 482-2489

## HUB CITY FLORIDA

4725 Lakeland Commerce Pkwy., Suite 6  
Lakeland, FL 33805  
(863) 665-9374

## HUB CITY WEST

3553 Placentia Ct  
Chino, CA 91710  
(909) 325-4052  
(800) 551-6661

## HUB CITY SOUTHWEST

3251 Royalty Row  
Irving, TX 75062  
(972) 721-0080  
(800) 494-1918

## HUB CITY MIDWEST

9899 E. Cty Rd 200 South  
Plainfield, IN 46168  
(317) 856-4855  
(800) 253-4281

## HUB CITY NORTHEAST

6520 Stonegate Drive  
Allentown, PA 18106  
(610) 391-9298  
(800) 452-1117

## HUB CITY SOUTHEAST

135 Cecil Court  
Fayetteville, GA 30214  
(770) 461-8334  
(800) 777-7159

## HUB CITY EAST

1011 Van Buren Avenue  
Indian Trail, NC 28079  
(704) 847-9131

## HUB CITY CANADA

80 Hale Road Unit #1  
Brampton, Ontario L6W 3N9  
(905) 455-6969  
(888) 661-1889



2914 Industrial Avenue  
Aberdeen, SD 57402 USA  
PH: 605-225-0360  
FAX: 605-225-0567

[www.hubcityinc.com](http://www.hubcityinc.com)

### APPLICATION CONSIDERATIONS

The proper selection and application of power transmission products and components, including the related area of product safety, is the responsibility of the customer. Operating and performance requirements and potential associated issues will vary appreciably depending upon the use and application of such products and components. The scope of the technical and application information included in this publication is necessarily limited. Unusual operating environments and conditions, lubrication requirements, loading supports, and other factors can materially affect the application and operating results of the products and components and the customer should carefully review its requirements. Any technical advice or review furnished by Regal Beloit America, Inc. and/or its affiliates ("Regal") with respect to the use of products and components is given in good faith and without charge, and Regal assumes no obligation or liability for the advice given, or results obtained, all such advice and review being given and accepted at customer's risk.

For a copy of our Standard Terms and Conditions of Sale, please visit <http://www.regalbeloit.com> (please see link at bottom of page to "Standard Terms and Conditions of Sale"). These terms and conditions of sale, disclaimers and limitations of liability apply to any person who may buy, acquire or use a Regal product referred to herein, including any person who buys from a licensed distributor of these branded products.

Regal, Hera, Hubcap, Hub City and Hubloc are trademarks of Regal Beloit Corporation or one of its affiliated companies.  
©2016 Regal Beloit Corporation, All Rights Reserved. MCB16100E • Form 10118 • Printed in USA

**REGAL**®